



Advantages of the system

-  Simple and safe system itself.
-  Easy to clean and low maintenance.
-  No invasion of interior spaces.
-  Total integration, it does not break building aesthetics.
-  Limitless views.
-  Protection against harsh weather conditions
-  Easy installation and handling.
-  Product of highest quality.
-  Variety of applications.
-  Maximum benefits out of unused spaces.
-  Extends the lifetime of the building, protecting structure and elements.
-  Reduction of space maintenance

New
High-quality
sliding
system



MADE IN SPAIN



C3 Systems, S.L. · Juan de Herrera, 34 · Elche Parque Industrial · 03203 Elche (Alicante) España · Telf. +34 966 286 186 · Fax: +34 965 682 677
c3systems@c3systems.es · www.c3systems.es · www.seeglass.es

Creating usable spaces
with unlimited views...



Este documento responde a una mera función de promoción comercial, no constituye una auténtica oferta publicitaria en sentido "estático". De cara a la formación del oportuno contrato, rogamos se ponga en contacto con C3 SystemS S.L con el fin de ofrecerse una información concreta y personalizada, que contenga datos objetivos, referidos a características relevantes, y que, si cabe entender que constituirá una oferta en sentido "estático".
C3 SystemS, S.L. se compromete a través de este medio a no realizar publicidad engañosa. A estos efectos, por lo tanto, no serán considerados como publicidad engañosa los errores formales o numéricos que puedan encontrarse a lo largo del contenido de este documento, en particular, en lo que se refiere a las imágenes que lo acompañan, que lo son de forma ilustrativa y no contractual. En todo caso, C3 SystemS, S.L. se compromete a corregirlos tan pronto como tenga conocimiento de dichos errores.



Get maximum benefits from your interior space without renouncing a limitless view

Seeglass Run is C3 Systems new frameless glazing enclosure with sliding panels. This system offers the possibility of moving panels horizontally, from one side to another, or from both sides. When opening or closing the first panel, this panel pulls the remaining panels thanks to the drag stopper built into the system.

This modern and practical system can be installed in a variety of locations from conservatories, terraces and commercial units. Seeglass Run creates new spaces and gets maximum benefits from existing ones. Furthermore, with this system you can enjoy limitless views while being protected from harsh weather conditions, and being able to enjoy the comfort of enclosed space.

The sliding panels are supported in the lower guide profile. Bearing components allow the displacement of panels in a quick, easy and optimal way. This system can be easily installed without carrying expensive building works. Possible construction slopes are not a problem for installation.

SYSTEM DETAILS



PANEL REGULATION
Fast and easy panel regulation.



INSIDE/ OUTSIDE OPENING
Possibility of opening from inside and outside.



FINISHES
New finish for caps
Chrome Matt (optional).



OVERLAPPING CAPS
Newly designed overlapping caps for central opening.

COMPONENTS AND OPTIONS



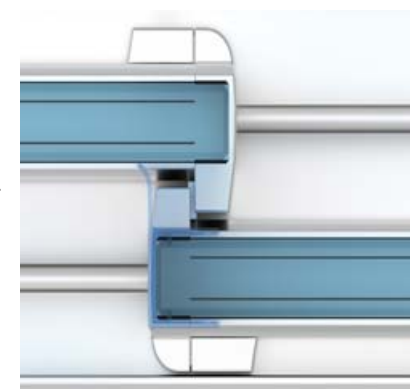
LOCKS
Possibility of including an outside lock on the system with a knob on the inside.



AUTO BLOCKING
Standard opening device that allows the opening from the inside.

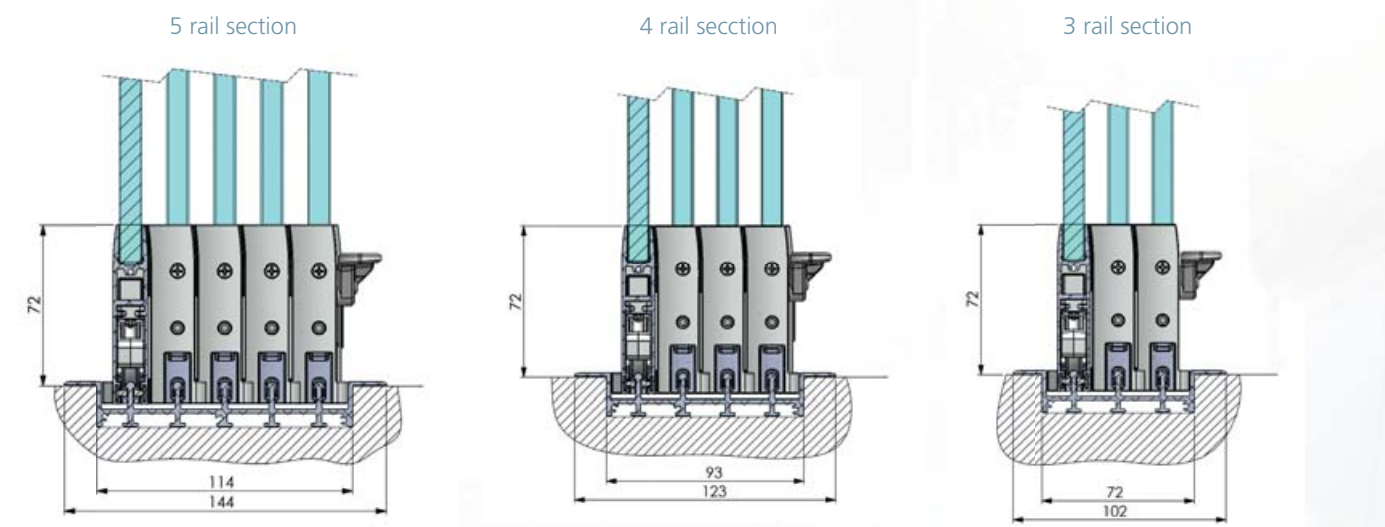
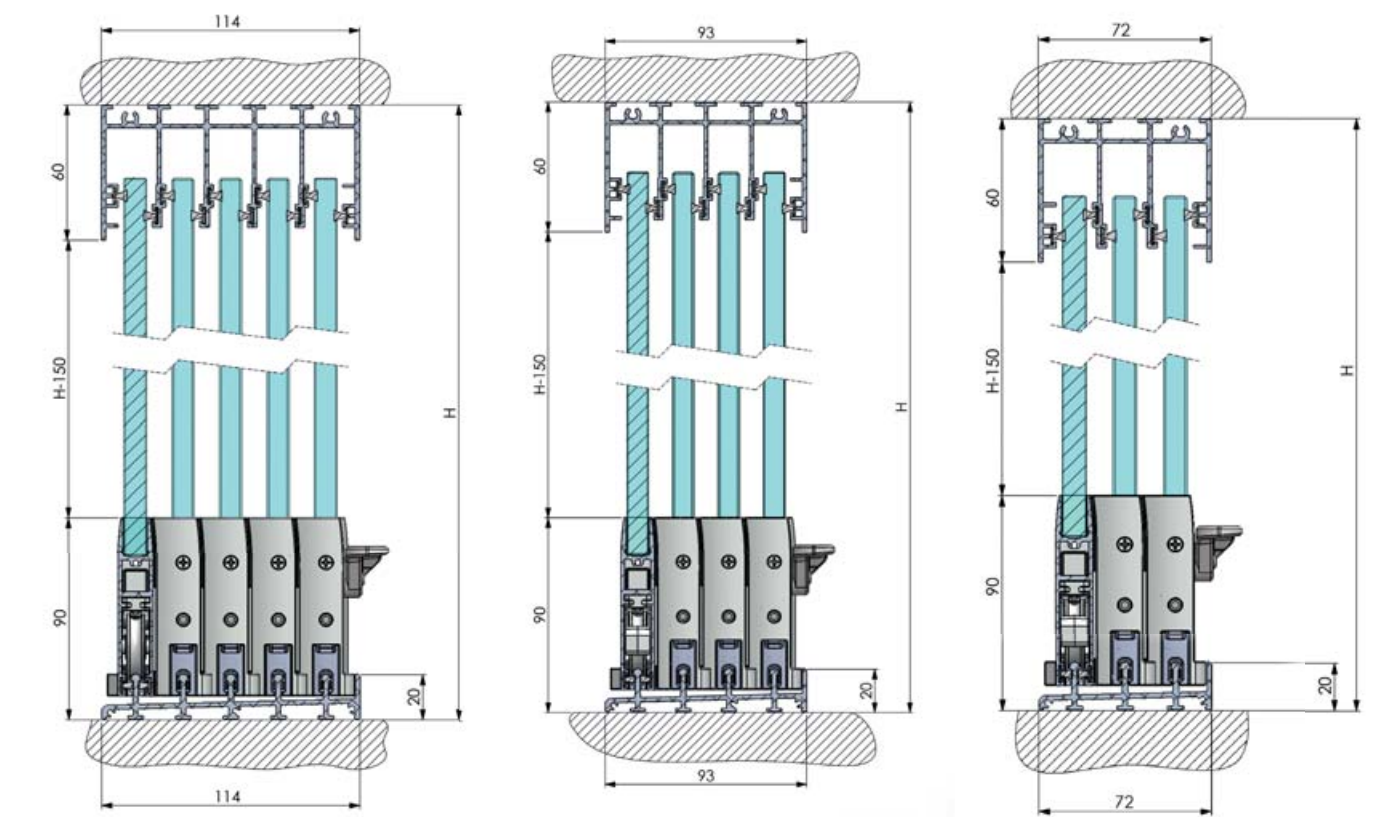


EMBEDDED PROFILE
Option available when unobstructed access is needed.



STANDAR
For improved leak-proof without affecting system's aesthetic, high quality crossing PVC gaskets have been added.

DETAILS OF THE SYSTEMS AND EMBEDDED



TECHICAL DETAILS SEEGLASS RUN			
Number of Rails	3	4	5
Lower Profile	STANDARD (20mm) OR EMBEDDED		
Maximum Height	3000 mm		
Maximum Width	UNLIMITED		
Maximum Panel Width	1100 mm*		
Type of Glass	TEMPERED 10mm		
Sujeccion de vidrio	GLUED		
System Type	HORIZONTAL SLIDING		
Weight Location	LOWER PROFILE		
Finishes Available	ANODIZED, RAL AND WOODEN IMITATIONS		